

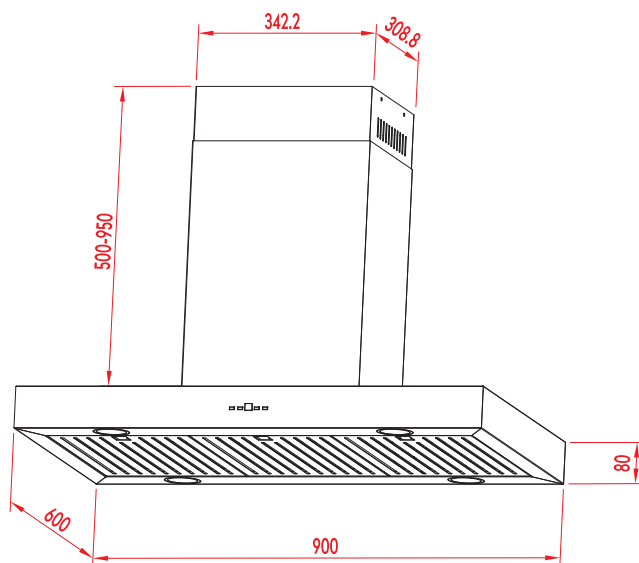
Quiet Island Mount Rangehood Spec Sheet

Specifications

-  German Made Motors
-  10-Year Warranty
-  All Ducting Included
-  NZ Sales & Service
-  amorehomes.co.nz

- Quiet Operation with External Motor
- Expell Smoke, Grease, Smells & Steam Outside
- Easy Control with Soft Touch Eye Level Controls
- Great Control with 5-Speed Levels
- 15-Minute Delay Timer with Auto Shut-Off
- Four LED Lights gives you great stove top lighting
- Sturdy Hood made of 1mm 430 Stainless Steel
- Stainless Steel Dishwasher Safe Filters
- Remote Control for optimum convenience
- Dimensions: 900mm Wide x 600mm Deep
- Full dimensions at back of this catalogue
- 5-Year In-Home Warranty on Hood
- 10-Year In-Home Warranty on Motor

Product Code: IMSERENA9



Choose Your Motor Size

Amoré 1600 EX-Drive Motor™



Heavy Cooking

- 1600 m3/hr airflow
- Energy efficient German made EX-Motor
- Motor housing is powder coated galvanized steel, which can be painted
- 200mm flexi ducting (5m), solid roof extension pipe and bell housing adapter
- Installation: Roof & Wall (Wall Mount will need hanging bracket)
- Warranty - 10-Years
- Product code: AM1600

Amoré 3200 EX-Drive Motor™



Extreme Cooking

- 3200 m3/hr airflow
- Energy efficient German made EX-Motor
- Motor housing is powder coated galvanized steel, which can be painted
- 250mm flexi ducting (4m), 200mm flexi ducting (1.3m) solid roof extension pipe and bell housing adapter
- Installation types: Roof
- Warranty - 10-Years
- Product code: AM3200

Motor Install Options



Roof Mounted
Motor



Wall Mounted
Motor

Serena Motor Systems

Serena 900mm Rangehood 1600 EX-Drive Motor™

RRP \$3,695

Product Code: IMSERENA9-M16



Serena 900mm Rangehood 3200 EX-Drive Motor™

RRP \$4,295

Product Code: IMSERENA9-M32



Optional Accessories

DuraDuct 200mm Ducting (5m)

RRP \$299

Product Code: DURA200



Serena 900mm Baffles (Set of 3)

RRP \$103.35

Product Code: SERENA9BAF



Sales & Service

For full sales and service or if you have a question about our range of Amore Rangehoods contact:

Free Phone

0800 200 510

Email

info.parex@whirlpool.com

Parex Industries Ltd - 5 Tolich Place, Henderson, Auckland 0610

amorehomes.co.nz

amore