

amore

1600m³/hr

EX-Drive™ External Motor System

Product Codes: AM1600

AM1600

Installation & Operation Manual



amorehomes.co.nz

**Electrical Specifications
230-240V ~ 50Hz 155W**

AM1600 - 1600m³/hr EX-Drive™ External Motor System Installation and Operator Instructions

WARNINGS

This appliance is not intended for use by persons (including children) with reduced physical or mental capabilities, or lack of experience or knowledge, unless they have been given supervision or instruction concerning use of the appliance by a person responsible for their safety.

Children should be supervised to ensure that they do not play with this appliance.

Electrically isolate this appliance before maintenance.

Avoidance of back flow. Care should be taken to avoid the back flow of gases into the room from the open flue of gas or other open fire appliances.

If this fan unit is supplied as part of another system (rangehood or other) and is controlled by that system, this fan unit shall only have its power supply controlled from that system (rangehood or other).

Installation of fan unit

Adhesives alone are not considered to be a reliable fixing means and mechanical fixing must be used to hold this unit. Metal banding or other secure fastening method shall be used for retention.

If supply cord is damaged, it must be replaced by the manufacturer, its service agent or similar qualified persons in order to avoid a hazard.

Coastal Installation

If unit is installed within two kilometres of the coast, additional corrosion protection should be applied to the exterior metal components of the motor.

General Notes on Installation and Use

This fan unit is designed to be installed using 150mm (ISD) PVC pipe as the initial connection duct to the fan module, and is supplied with a 150mm (ISD) PVC pipe to 200mm (ISD), flexible duct and bell-mouth adaptor.

This fan is suitable for connection to ducting runs with a minimum inlet area of 200mm and length up to 6 metres maximum (check with supplier if longer duct length required). Ducting must be extended sufficiently to present a smooth air passage with bends of at least the radius of twice the diameter of the duct.

Excessive bends in the ducting will compromised extraction.

Recommended electrical installation

Recommended electrical connection and operation is by a wall mounted switch with a ceiling cavity mounted GPO. The switch supply must be connected via a mains isolating device.

The outlet connection to the fan should be in an accessible location within the cavity.

Recommended Installation Distance

AM1600, recommended 5 metres of flexible ducting and with at least two bends.

NOTE: Installations less than 5 metres will increase extraction power this will result in higher noise level. Maximum duct length is 6 metres. Check with supplier if longer duct length is required.

Do not reduce the duct size at any time and avoid sharp bends.

Roof Installation

Recommended duct length: 5 metres with a minimum of 4 metres.

Mount 150mm (ISD) rigid PVC pipe securely to beams, trusses or other appropriate structures.

The pipe should be mounted vertically with the roof penetration being sealed using a Dektite or other appropriate sealing membrane or device.

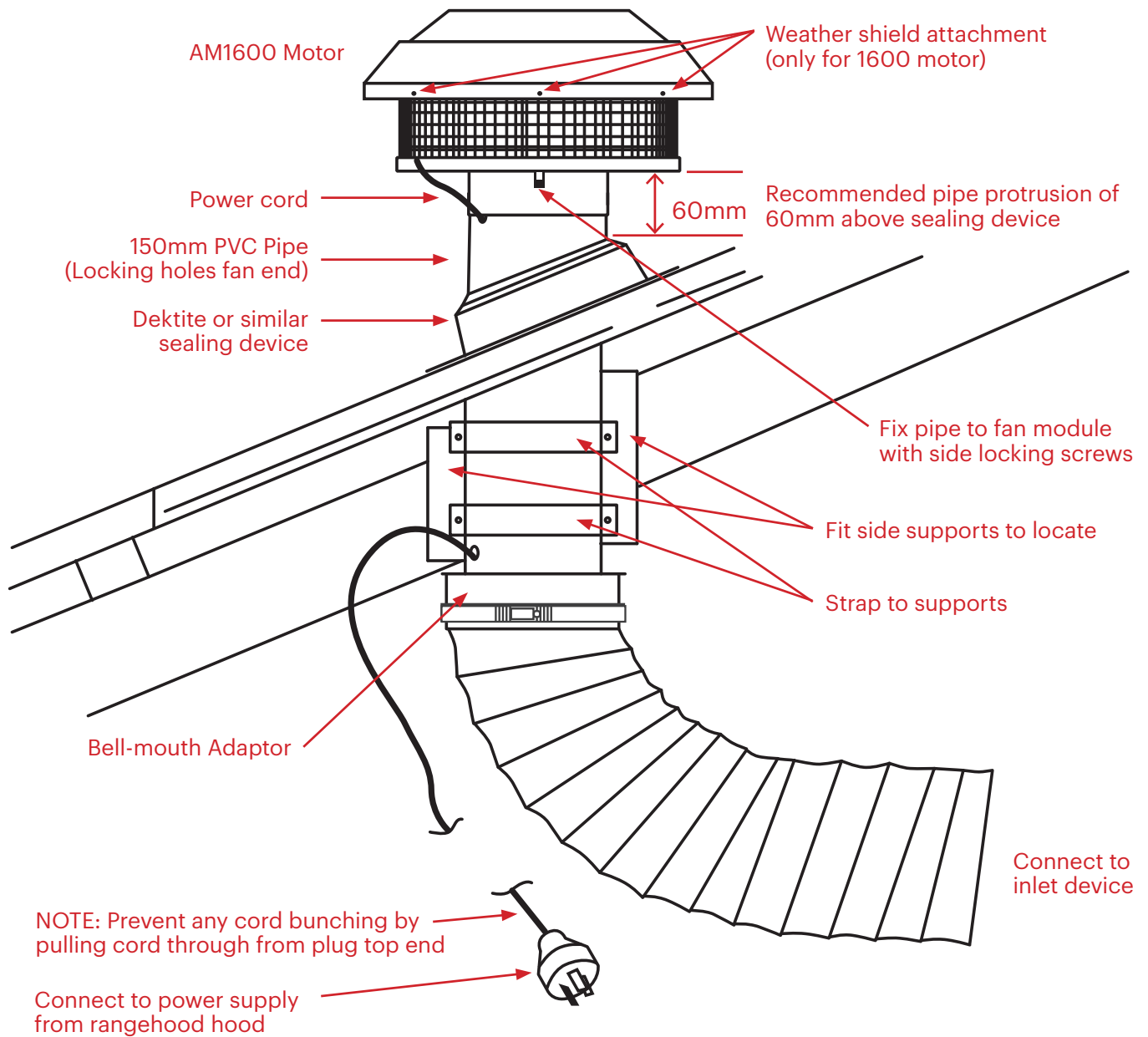
Ensure that the PVC pipe **protrudes a minimum of 60mm** past the top of the Dektite, checking that the fan assembly clears the roof cladding at upper edge.

Pass power cord and plug through mounting flange and pipe, then out the slotted PVC pipe for connection to the power supply.

Do not insert plug into socket outlet or switch on until installation has been completed. Fit fan module to pipe and fix in position using side locking screws.

For more information on environmental noise limit and conditions please contact your local Council.

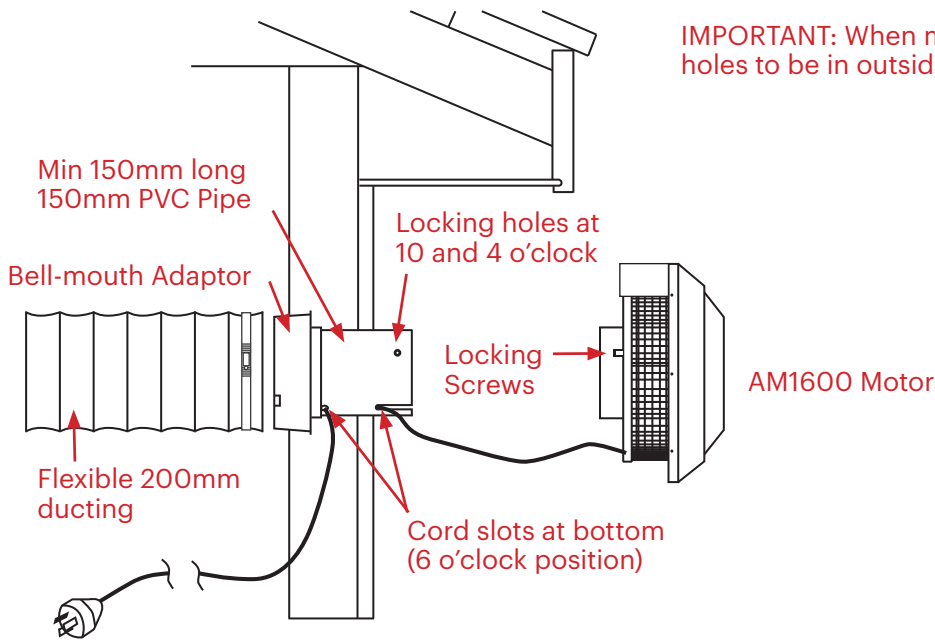
Installation - Roof Mounting - AM1600



Recommended minimum duct length 4m. Extend flexible ducting. Cut to length.

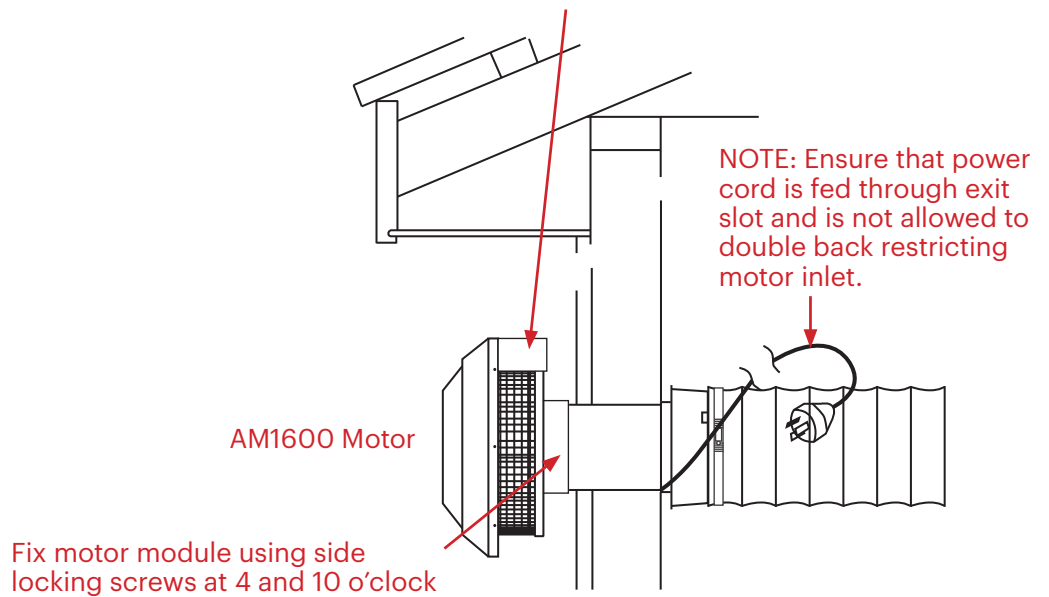
Installation - Through Wall Installation - AM1600

This type of installation is similar to roof mounting, ensuring that the pipe extends at least 50mm past the wall surface. If the pipe length is shortened, reproduce the power cord exit slot on the inside of the wall.



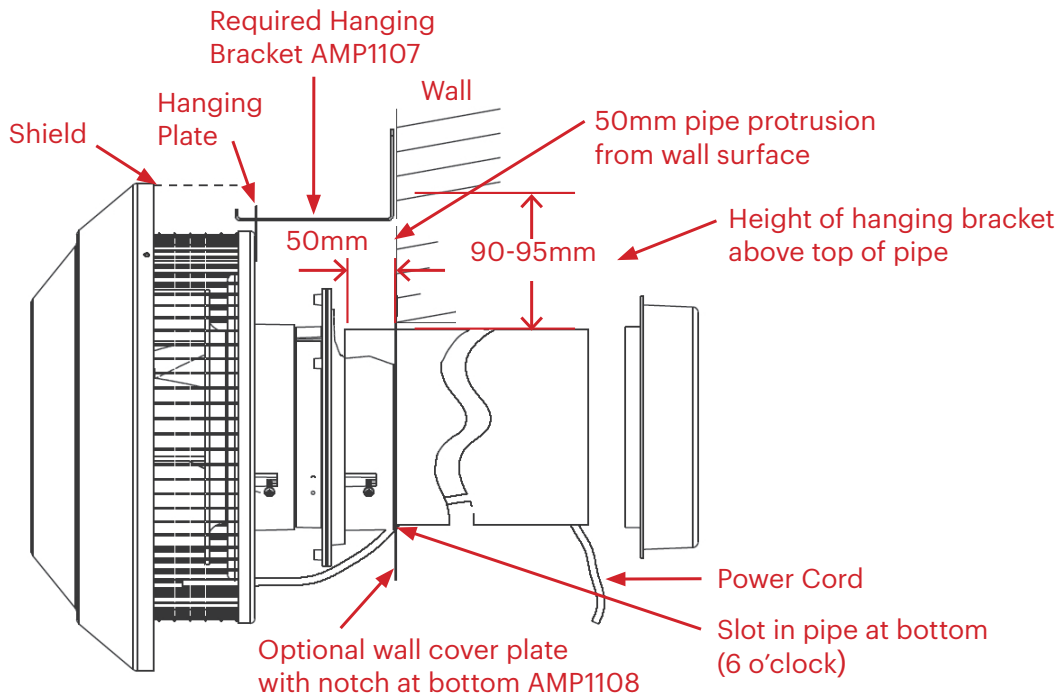
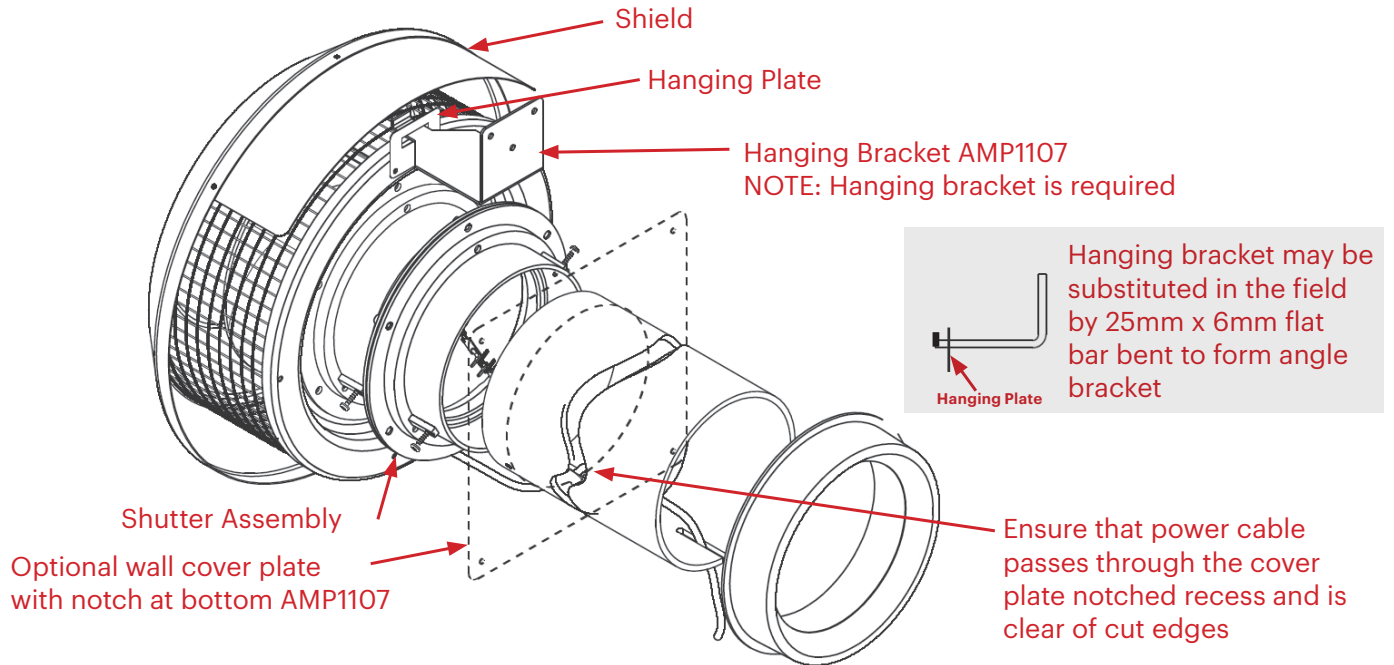
NOTE: Ensure that power cord is fed through exit slot and is not allowed to double back restricting motor inlet.

Attach weather shield using 3 screws provided when wall mounting. Ensure weather shield is upper most position (12 o'clock position) when engaging locking screw



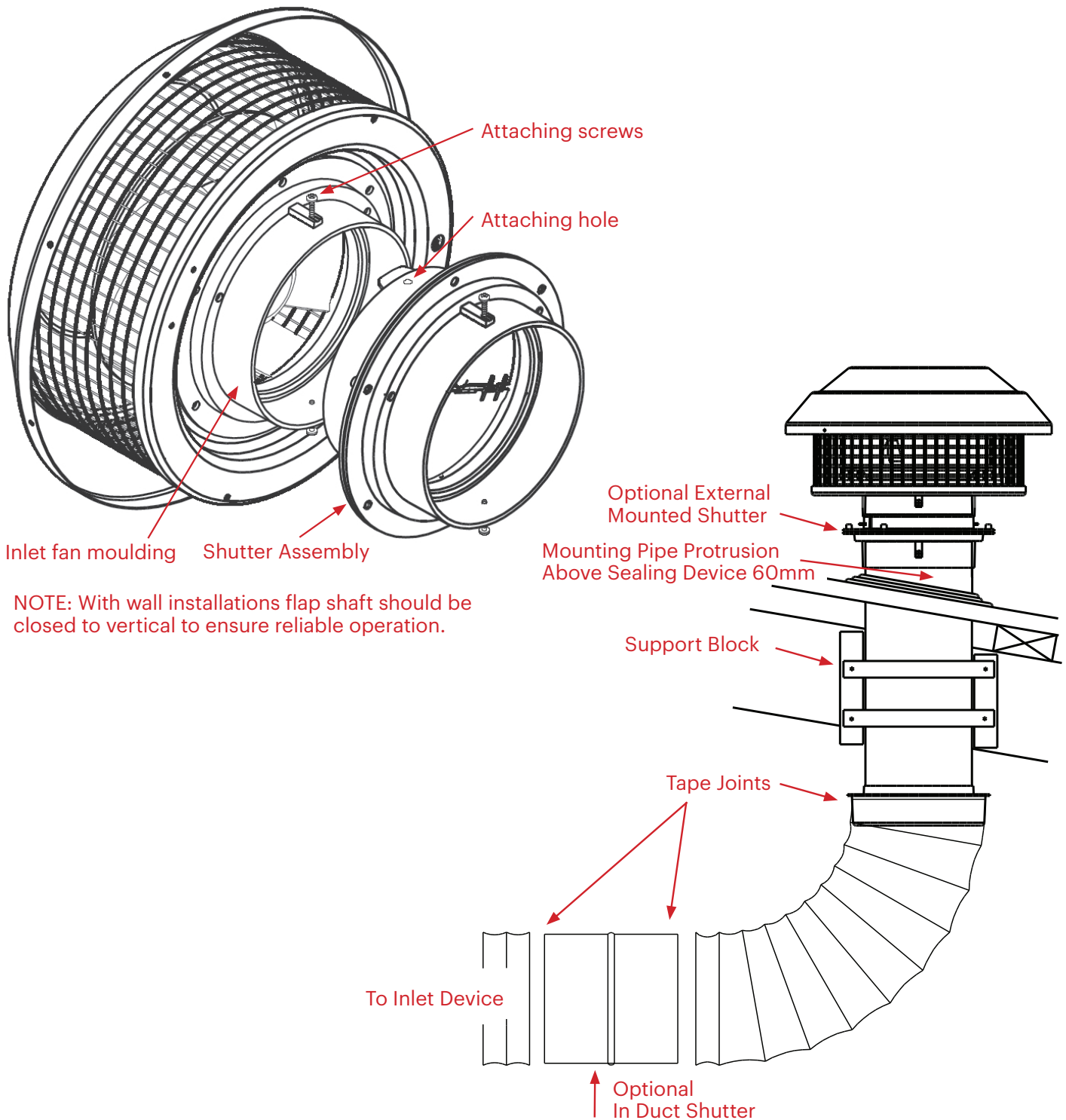
Optional Installation - For backdraft shutter system

In some installations where access to the shutter system is required an external fitment is possible. Additional supporting bracket is required if the installation is through a wall.

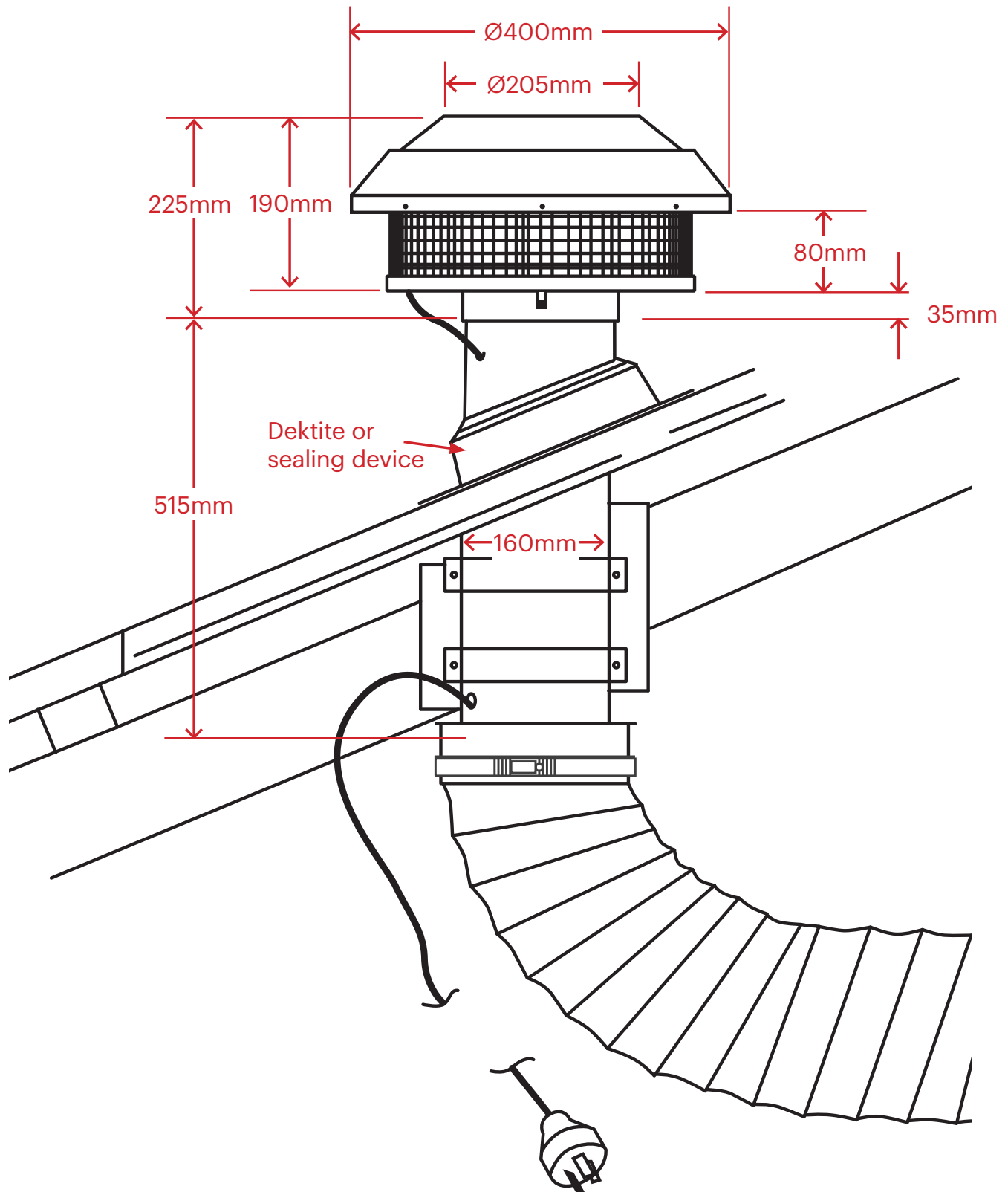


Optional Installation - For backdraft shutter system

1. Assemble by fitting shutter assembly into fan inlet shroud moulding, ensuring that attaching screws align with holes. Alignment can be checked visually by folding in shutter flaps.
2. Fully tighten both screws and re-check fitment into holes.
3. Fit assembly to duct pipe as per installation instructions supplied.



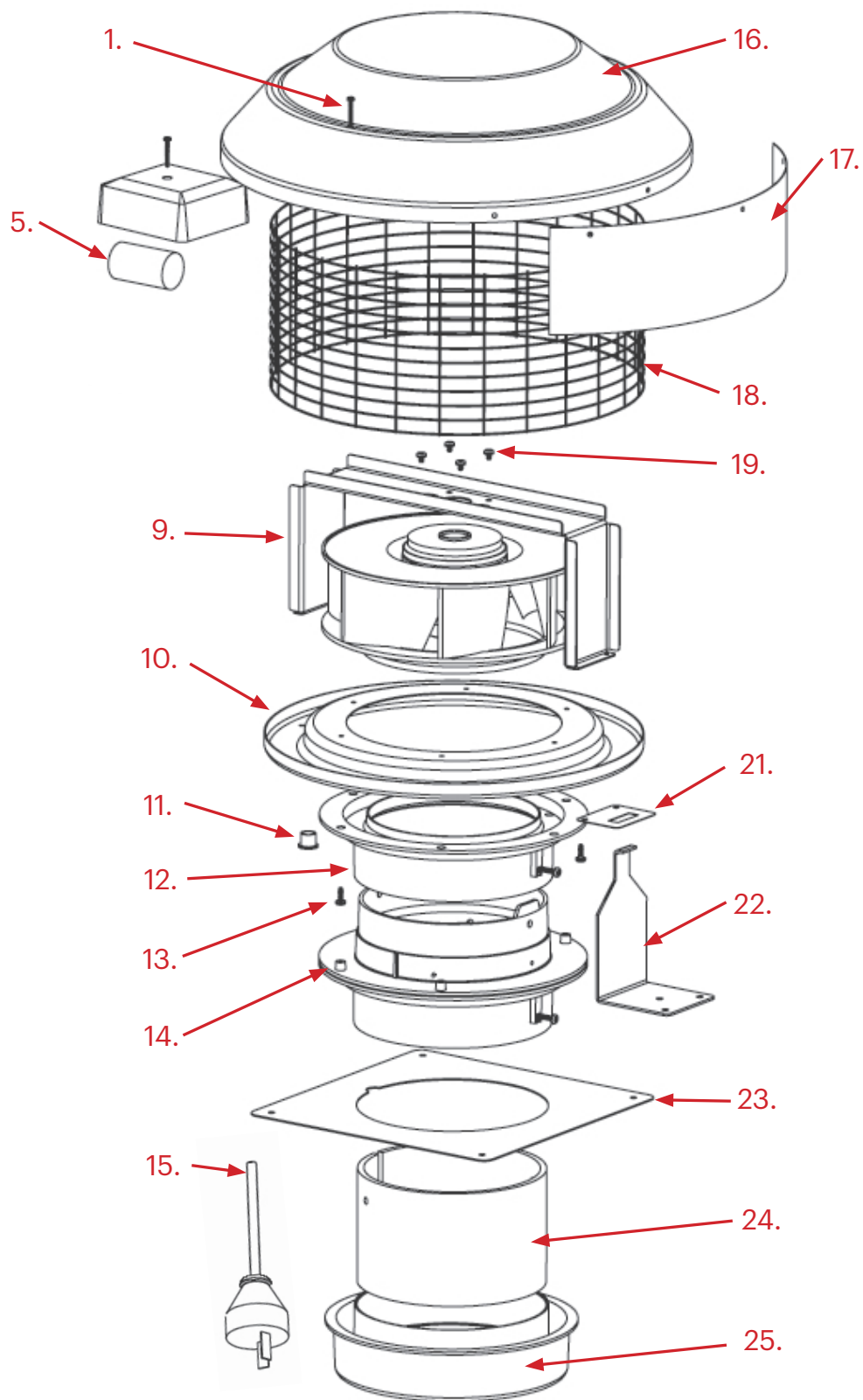
Measurements - AM1600 (not to scale)



Operator instructions for general purpose fan unit

This fan is powered ON and OFF by a wall mounted switch and operated as required.
If this fan is supplied as part of another SYSTEM (rangehood or other) and is powered by that system, please refer to the SYSTEM operator instructions.

Parts List - AM1600



Parts List - AM1600

Number	Part Number	Description	Quantity
1	P1120	M4X160mm Pan Head Screw	4
	P1120N	M4 KEPS Nut (not shown in figure)	4
5	P1114	Capacitor 3.5uF	1
9	P1100	Fan Motor Mounting Bracket	1
10	P1102	Fan Base Spinning	1
11	P1113	Heyco Snap Bushing	1
12	P40113	Base Moulding	1
13	P1124	M4X12mm Hex Washer S/T Screw	11
14	200MM BDSS BUILD ASS	Shutter Assembly (Optional)	11
15	P1111	Power Cable 3 Core	1
16	P1101	Fan Top Spinning	1
17	P1104	Side Mount Cover Weather Shield	1
18	P1105	Fan Guard	1
19	P1126	M4X8mm Machine Screw with Spring Washer	4
20	P1110R	Centrifugal Fan/Motor Unit	1
21	P1106	Hanging Plate	1
22	P1107	Hanging bracket (Optional)	1
23	P1108	Wall Cover Plate (Optional)	1
24	P1069	Slotted Pipe (150mmX455mm)	1
25	P40114	Bell Mouth Adaptor	1



Sales & Service

For full sales and service or if you have a question about our range of Amore Rangehoods contact:

Free Phone

0800 200 510

Email

info.parex@whirlpool.com

Hours of business

Monday - Friday,
8am - 5pm

Parex Industries Ltd

5 Tolich Place, Henderson,
Auckland 0610

amorehomes.co.nz