

**amore**

**Ella**

**Quiet Rangehood**

Product Codes: IMELLA7

# Installation & Operation Manual



[amorehomes.co.nz](http://amorehomes.co.nz)

# Contents

<b>A. Welcome</b>	<b>3</b>
<b>B. Important Safety Information</b>	<b>4 - 5</b>
<b>C. Product Outline</b>	<b>6 - 7</b>
<b>D. Operation</b>	<b>8</b>
<b>E. Cleaning &amp; Maintenance</b>	<b>9</b>
<b>F. Replace lights</b>	<b>10</b>
<b>G. Installation</b>	<b>11-16</b>
<b>H. Condensation Information</b>	<b>17</b>
<b>I. Troubleshooting</b>	<b>18-19</b>

# A. Welcome

## **Thank you for choosing the Amore rangehood!**

To ensure optimal performance, please take a moment to read this guide before using your new rangehood. It contains essential information on usage, maintenance, and safety to help protect you and maximize the longevity of your rangehood.

## B. Important Safety Information



### **PLEASE CAREFULLY READ THIS SECTION BEFORE OPERATING THE APPLIANCE.**

Inspect the product upon receipt, and report any damage or defects within 48 hours. Claims made after this period cannot be accepted.

### **DO NOT INSTALL THE APPLIANCE IF IT IS DAMAGED.**

If a damaged product is installed, the supplier and retailer will not be responsible for any costs related to its repair, replacement, removal, or reinstallation.

1. This appliance is not intended for use by persons (including children) with reduced physical, sensory or mental capabilities, or lack of experience and knowledge, unless they have been given supervision or instruction concerning use of the appliance by a person responsible for their safety.
2. Children should be supervised to ensure that they do not play with the appliance.
3. The air must not be discharged into a flue that is used for exhausting fumes from appliances burning gas or other fuels.
4. Rangehoods and other cooking fume extractors may adversely affect the safe operation of appliances burning gas or other fuels (including those in other rooms) due to monoxide poisoning. After installation of a rangehood or other cooking fume extractor, the operation of flued gas appliances should be tested by a competent person to ensure that the backflow of combustion gases does not occur.
5. CAUTION: Accessible parts may become hot when used with cooking appliances.
6. Do not flambé under the rangehood.
7. There is a fire risk if cleaning is not carried out in accordance with the instructions.
8. Keep the grease filters clean and respect the recommended cleaning frequencies.
9. Do not use rangehood if grease filters are not installed.
10. Before cleaning or performing maintenance, disconnect the rangehood from the power supply by using the appropriate mains or isolation switch or unplugging it.
11. If the supply cord is damaged, it must be replaced by the manufacturer, its service agent or similarly qualified persons in order to avoid a hazard.
12. The room must have sufficient ventilation when the rangehood is being used simultaneously with gas or fuel-burning appliances.
13. Switch on the rangehood motor before you begin cooking, and keep it running for 10-15 minutes after you finish.
14. The rangehood must not be used as an aspirator.
15. Avoid cooking food directly over an open flame or operating gas burners under the rangehood without cookware in place.

# B. Important Safety Information

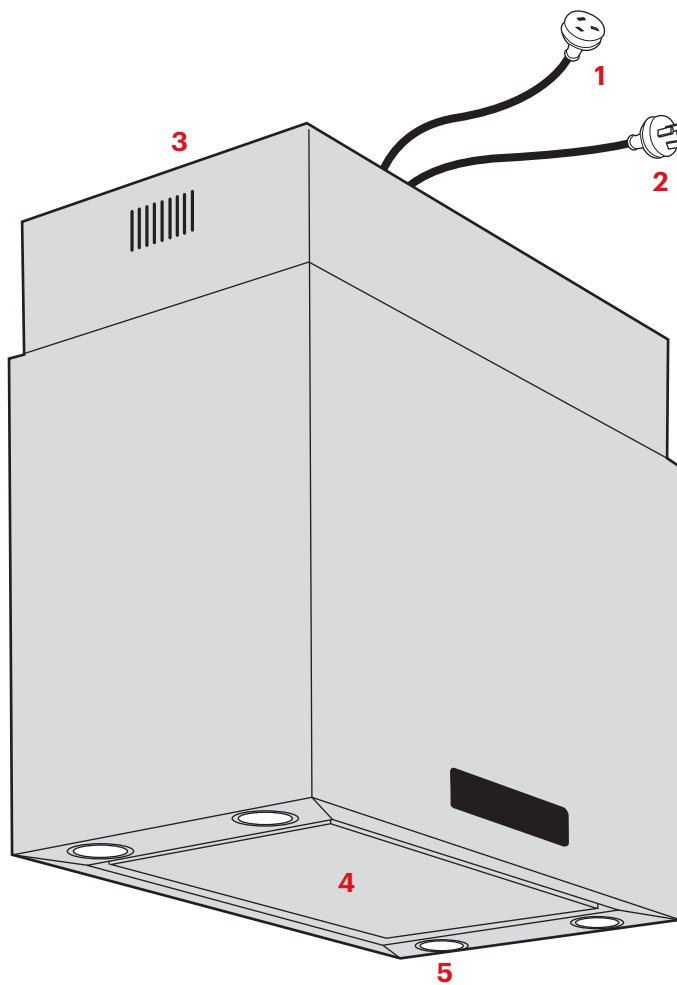
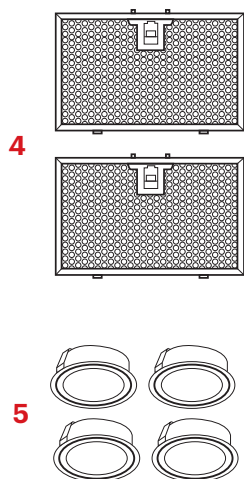
## Before Installation

1. We recommend that this appliance be installed or repaired by a qualified Amore Appliances technician. For a list of recommended installers, please visit our website at [amorehomes.co.nz](http://amorehomes.co.nz)
  2. Modifying any part of this appliance is strictly prohibited and will immediately void the warranty. The manufacturer assumes no responsibility for accidents or damage resulting from failure to follow proper safety measures.
  3. Ensure that the installation location is well-ventilated and permanently ventilated. Follow all local laws and regulations, and ensure the installation complies with applicable standards.
  4. Use an electrical connector with a ground connection appropriate for your location. Verify that the voltage in your area matches the specifications on the appliance's rating label. This appliance must be connected to a grounded electricity supply.
  5. All installations and electrical connections must be performed by a qualified technician in compliance with the provided instructions and local regulations, using materials that meet applicable safety standards. The company is not liable for installations performed by unqualified personnel or those that fail to comply with electrical safety regulations concerning methods and materials.
  6. Electrical technical data can be found inside the rangehood after removing the grease filters. The flexible power cable provided is pre-connected internally and exits near the air outlet tube.
- 7. Before proceeding with electrical connections:**
- Verify that the appliance's electrical specifications match the voltage and frequency of the household circuit where the rangehood will be installed.
  - Ensure that the premises are equipped with electrical protection against short circuits and electrocution, as required by applicable laws.
  - Always turn off the power using a double-pole switch before performing maintenance, and restore power only after all work is completed.
  - Connect and test the system before installation to confirm it is operating as intended.

## C. Product Outline

### Rangehood Supplied Components

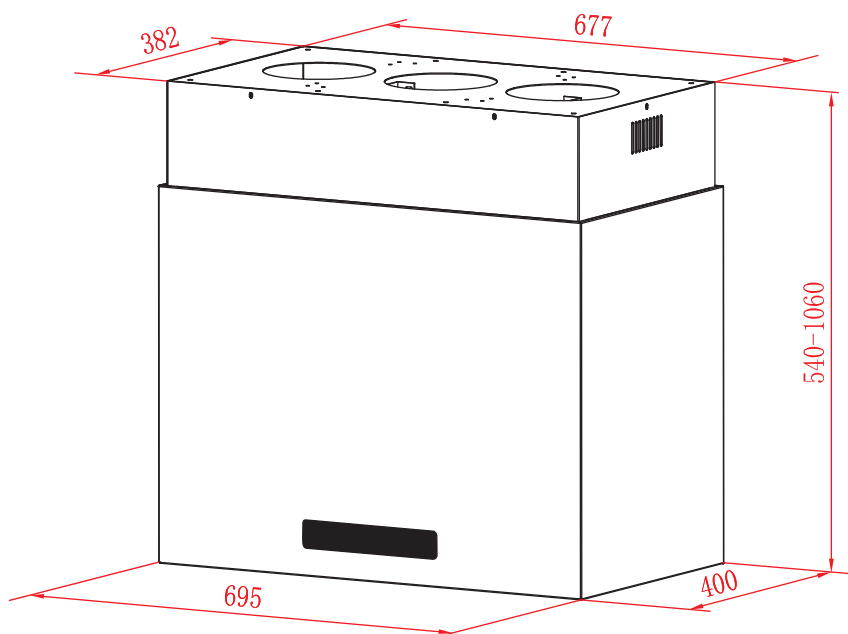
1. Female plug, which plugs into the Amore EX-Drive External Motor
2. Male plug which plugs into main power 240V wall socket
3. Single 200mm outlet
4. Stainless Steel Filters  
700mm - 2 x Filters
5. LED Lights x 4



## C. Product Outline

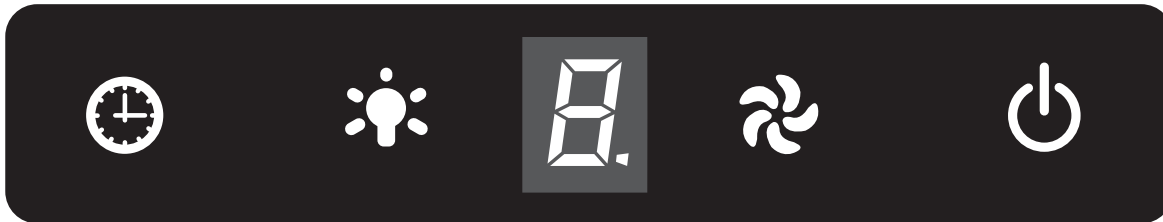
### Ella 700mm Island Rangehood - Dimensions

PRODUCT CODE: IMELLA7



## D. Operation

### Touch Control Panel



### Standby Mode

After plug in, all button indicator lights and digital displays will light up for 1 second, then all will turn off and the device will enter the shutdown state.



To turn on the rangehood touch the on/off button.



To increase speed of the fan (From minimum speed of 1 to maximum of 5).



To switch lights on and off.



Timer.

Touch "Timer" during operation to start a 15-minute auto-off countdown (indicator on, display flashing). Touch again to cancel and reset the timer. Speed change does not cancel the timer. After 15 minutes, the unit turns off and the display goes off.

### Speed Control

**Speeds 1 & 2** - Low Speed - For simmering pots on the stove.

**Speed 3** - Medium Speed - For light cooking.

**Speeds 4 & 5** - High speed - For heavy frying or heavy cooking.

## E. Cleaning your Rangehood



**Before cleaning always switch off and disconnect from power!**

### Cleaning surfaces on the rangehood

Clean with warm soapy water and a soft sponge/cloth. Never use abrasive detergent, scouring pads, steel wool or solvents on any part of this appliance. Always make sure to dry the appliance after cleaning and never leave wet, as this will cause irreparable damage.

After cleaning rangehood, wipe down with a micro fiber cloth and buff surface of rangehood to get a streak-free finish.

### Cleaning the filters

Filters should be cleaned every 3 to 6 weeks or after 60 hours of use. You can clean them in a dishwasher using a hot cycle (60°C) or soak them in a degreasing agent for an hour, then rinse thoroughly and dry before reinstalling.

To ensure this appliance functions effectively, regular maintenance is essential. The metal cassette filter captures dust and oil, preventing them from entering the motor.

**Clogged filter can restrict airflow, potentially causing the motor to overheat and pose a fire hazard.**

**Note:** Filters may be washed in the dishwasher, but the colour of the metal mesh may change after several washes. This is normal and does not require replacement of the filters.

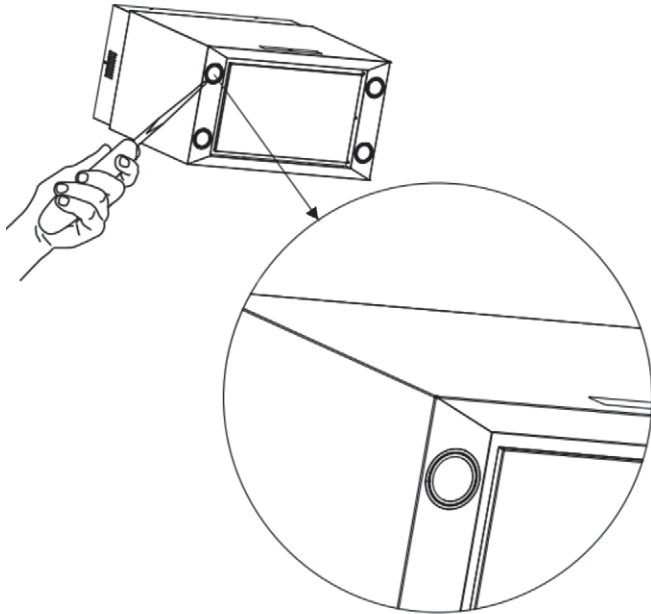
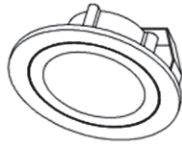
## F. Replacing Light Bulb



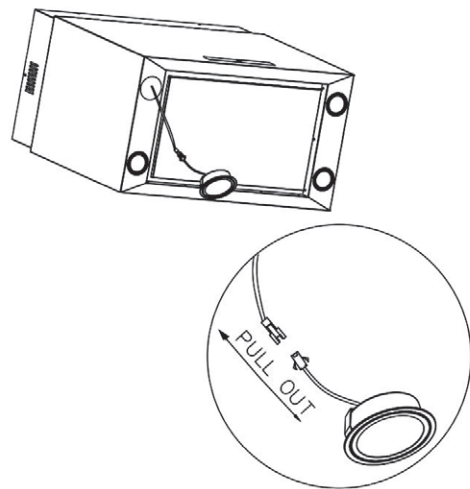
Before replacing LED Lamp always switch off rangehood and disconnect from power!  
Caution the old lamp maybe hot, leave until it has cooled down.

### LED REPLACEMENT

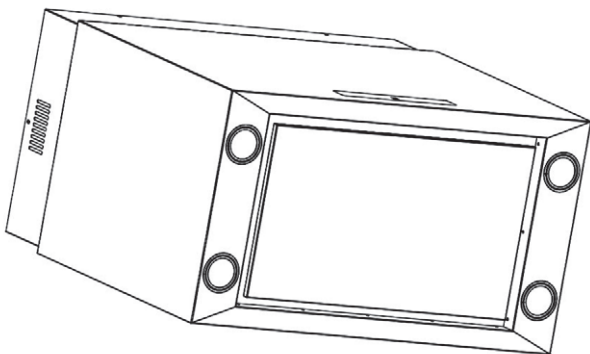
Circular LED lamp



1. Use a small flat screwdriver to carefully pry the round light away from the face panel.  
Be careful not to scratch the Stainless Steel.



2. Unplug the light cord and remove the round light, then replace it with a new one



3. Reinstall the replaced round light.

# G. Installation

## What width should my rangehood be?

Ensure the rangehood is the same or greater width than the cooktop. This is to capture the smoke and steam generated from the cooktop.

### Inefficient

Rangehood not wide enough



### Good

Rangehood same width as cooktop



### Best

Rangehood wider than cooktop



## What depth should the overhead cabinet be?

### Good



### Better



### Best



When installing an undermount rangehood into overhead cabinetry it is important to consider the depth of cabinet and the position of rangehood in the cabinet.

The wider the overhead cabinetry the better the hood can capture the smoke and steam created by the cook top.

It's also important to position the hood towards the front of the cabinet, which creates a better suction area for the smoke and steam to be caught by the hood.

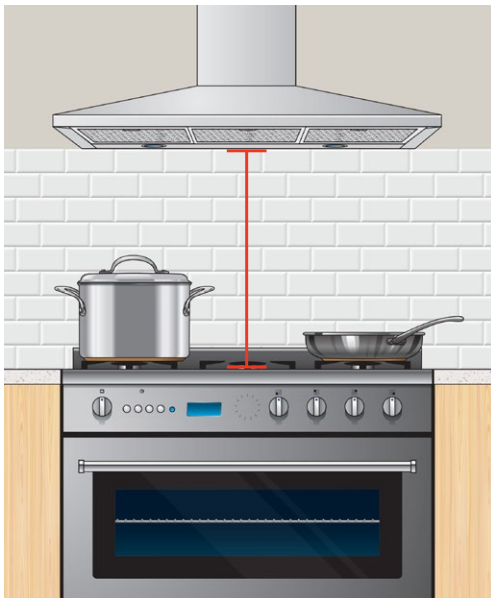
# G. Installation

## What is the recommended height between cooktop & rangehood?

It is important to make sure your rangehood is between the minimum and maximum heights from the cooktop. The maximum height guarantees the rangehood can capture all the smoke and steam generated at the cooktop. The minimum height makes sure that heat from the cooktop is safe to enter the rangehood.

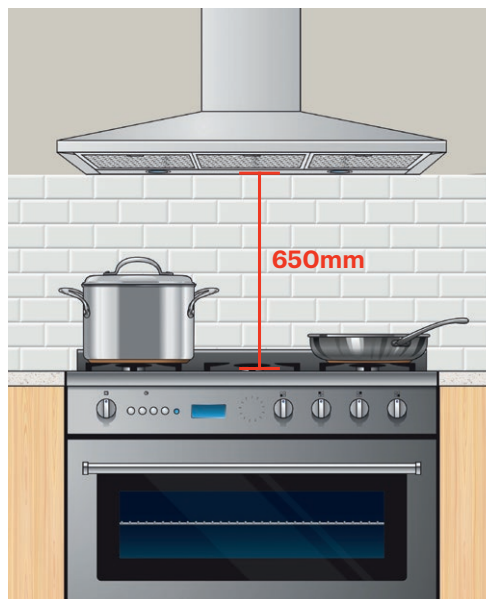
### Maximum Height

For information on this please contact Customer Care Service on 0800 200 510



### Minimum Height

650mm minimum height of rangehood above cooktop



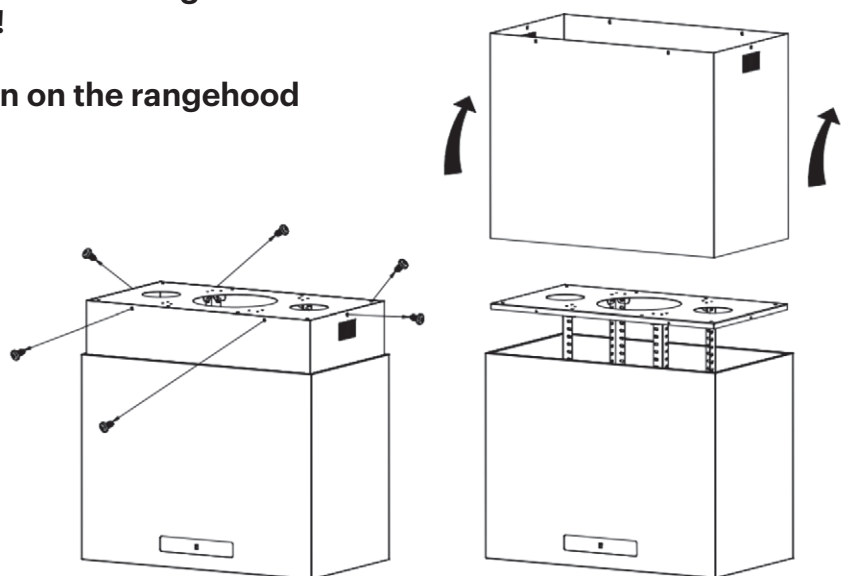
**Before installation always switch off rangehood and disconnect from power!**

**Remove all plastic protection on the rangehood and filters before use.**

### Installation Example

These diagrams are a guide for installation.

1. Use a screwdriver to remove the six 4\*8 screws that secure the upper flue, and then remove the upper flue.

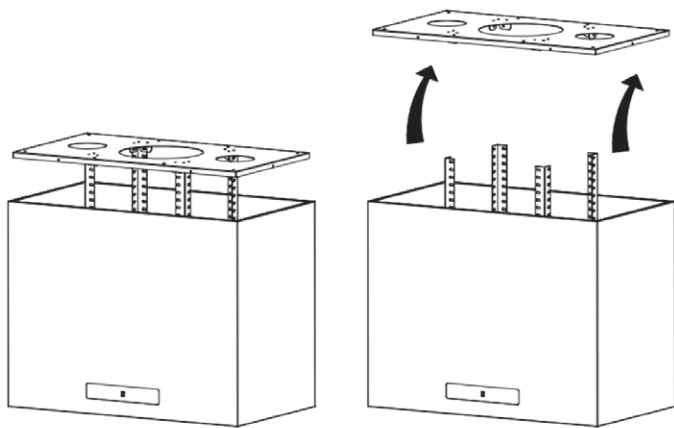


# G. Installation



Before installation always switch off rangehood and disconnect from power!

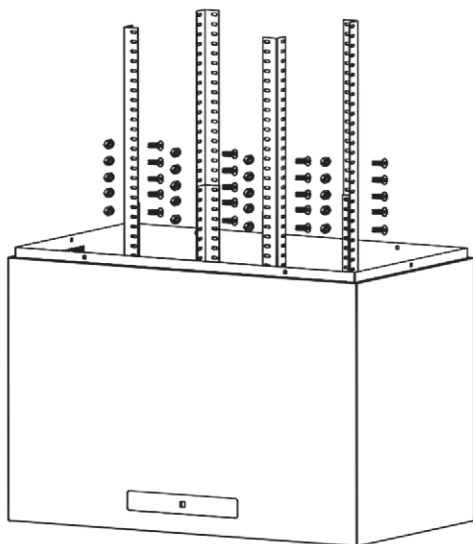
## Installation Example



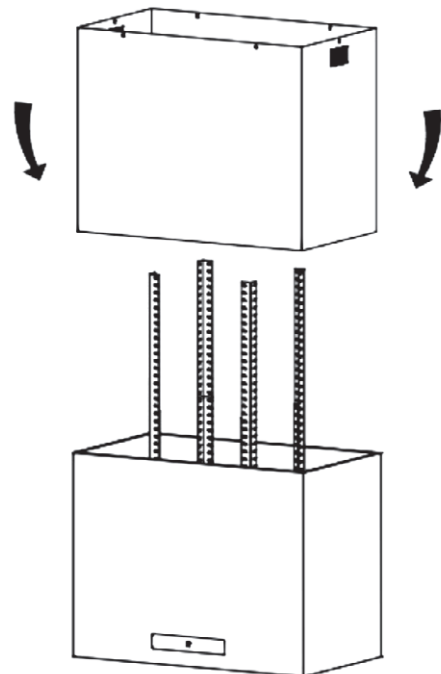
2. Use a disassembly tool to remove the eight M5\*12 screws and M5 nuts that secure the angle bracket to the frame, and then remove the top cover plate.



3. Secure the top cover plate to the ceiling with eight expanding bolts.



4. Adjust the upper and lower angle irons to the appropriate height, and then fasten the overlapping parts of the upper and lower angle irons with 5\*12 screws and M5 nuts.



5. Insert the upper flue and secure it with an S-shaped hook to prevent it from slipping.

## G. Installation

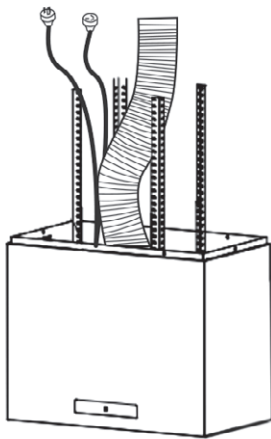


### Installation Example

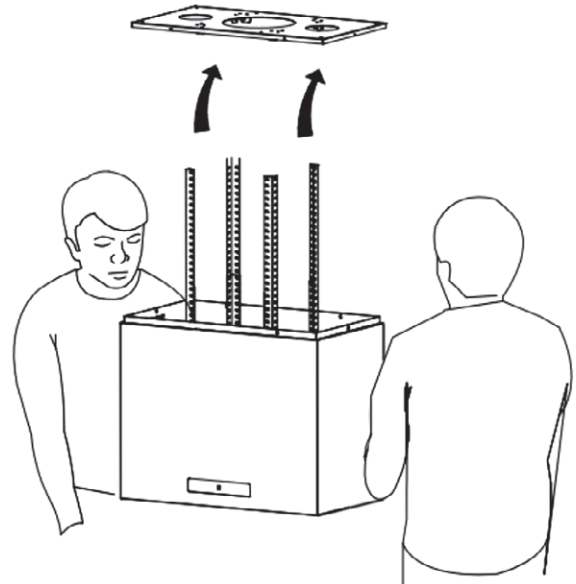
Before installation always switch off rangehood and disconnect from power!

**NOTE: This requires 3 people to install.**

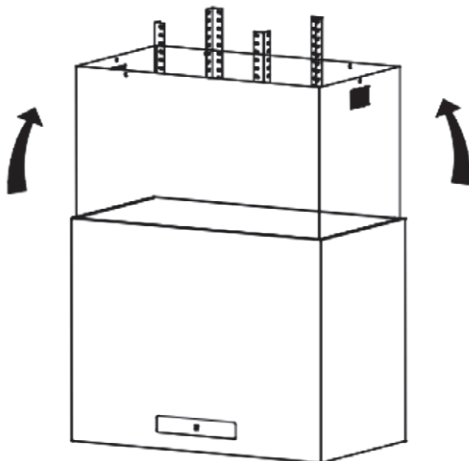
**2 People to hold the range hood and 1 person to tighten fastening,**



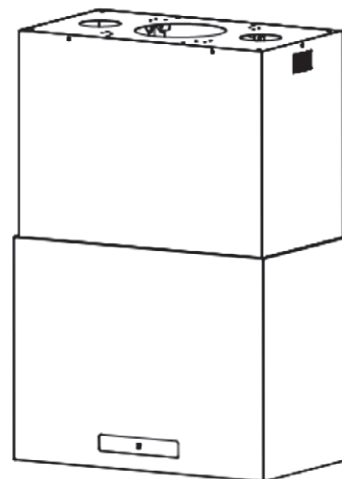
- 6.** Attach ducting securely to the 200mm outlet on top of the rangehood with the ring clamp. Also move power cords to be accessible when lifting up to the cover plate. Care must be taken to not damage the ducting.



- 7.** Lift the entire unit up to the cover plate, carefully feed the ducting and power cords through to the ceiling cavity. Then secure the angle brackets of the top cover plate to the main frame using 5\*12 screws and M5 nuts.



- 8.** Extend the upper flue until it aligns with the top cover plate, then secure the upper flue to the top cover plate with six 4\*8 screws.



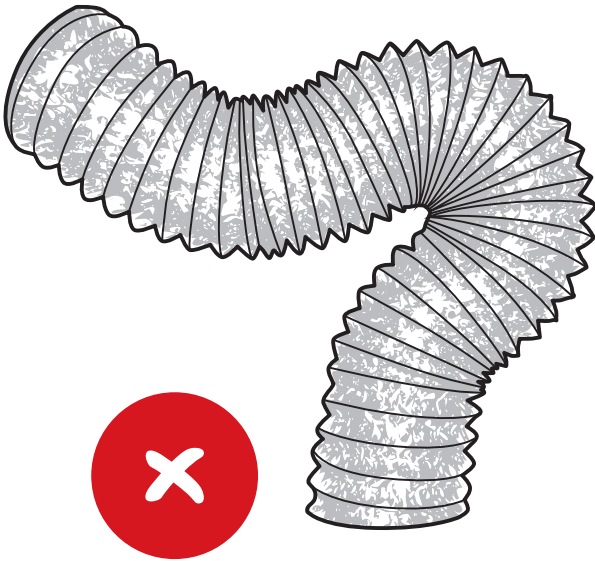
- 9.** Connect the power supply and turn on the rangehood for testing.

## G. Installation

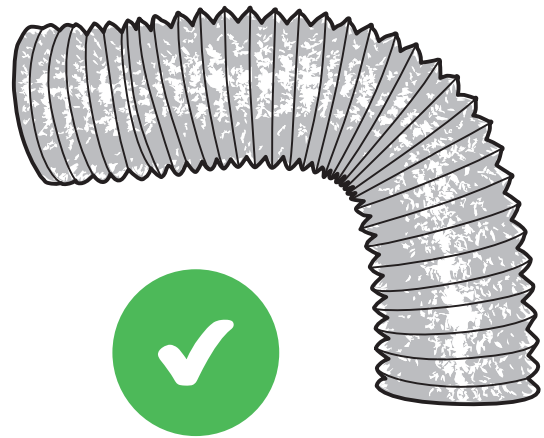


**NEVER** crush, kink or puncture the ducting.

### Ducting Installation



**1.** Crushed or kinked ducting creates sharp corners that creates turbulence. This reduces the size and efficiency of the ducting, lowers extraction and may cause excessive noise.



**2.** Sweeping curves and taut ducting reduces resistance and turbulence. The airflow and extraction will operate at optimal levels.

# G. Installation



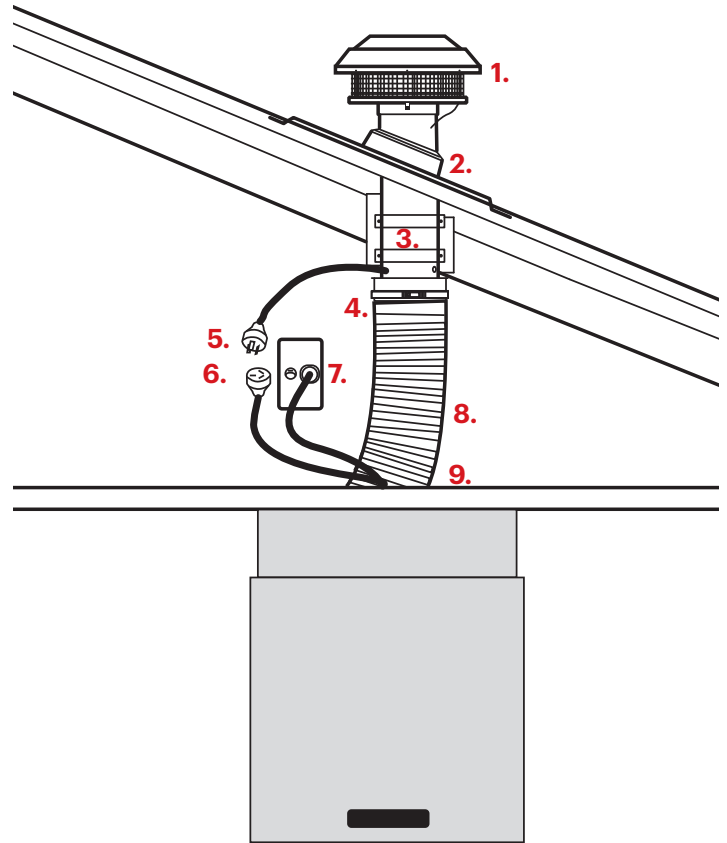
The general power outlet for the rangehood should be located in an easy to access area.



All electrical wiring from the motor to the rangehood should be kept inside the roof space.

## System Overview

1. Amore EX-Drive™ Motor
2. Roof Seal Kit (Dektite) (Not supplied)
3. Support Straps (Not supplied)
4. Attach Flexi Duct to Bell-Mouth Adaptor using ring clamp. Please DO NOT rip the ducting.
5. Amore EX-Drive™ Motor Power Lead (Male Plug)
6. Rangehood to EX-Drive™ Motor Lead (Female Plug)
7. Main Power Lead (Male Plug, 10 Amp)
8. Flexi Ducting must be pulled taut. DO NOT crush or kink the ducting.
9. Connect flexi ducting to the outlet on rangehood using ring clamp.



## Technical Specifications

Model	IMELLA7
Feeding Voltage	220-240V 50Hz
Lamp Type	LED
Weight	26kg

## Lamp Specifications

For replacement light fittings please contact Customer Care Service on 0800 200 510

# H. Condensation Information

## Cooking with Induction Cooktops

Cooking with an induction or similar cooktop may produce condensation on the rangehood. Unlike basic electric or gas cooking, induction cooktops heat food and liquid instantly, which in turn, produces vapours rapidly. Because of this rapid process, the rangehood filters do not have enough time to warm, which increases the chance of condensation forming.

There are many variables that may contribute to condensation forming, some of which include but are not limited to:

- Variance in climate – geographical location
- Position of your home & kitchen – morning/afternoon sun
- Installation distance from cooktop to the rangehood
- Speed of food & liquid heating
- Filter size – larger canopy preferred
- Quality of pots or cookware you are using – high quality recommended

## How to reduce the possibility of condensation forming:

- Ensure the rangehood is installed by a qualified professional, carefully following the installation guide.
- Turn on the rangehood 5-10 minutes prior to cooking, and leave on for 10-15 minutes after cooking; this helps clear remaining vapours from the flue.
- Start the cooking process at a low-to-medium setting and allow time for the rangehood to warm up.
- Clean filters regularly.
- Ensure constant airflow in the cooking zone; this helps optimise the rate of extraction.
- Follow all induction cooktop manufacturer advice.

For further advice, tips or information regarding cooking with induction, please contact your induction cooktop manufacturer.

# I. Trouble Shooting



**Never attempt to repair this appliance yourself.  
Always contact a Amore Service Agent.**

## Troubleshooting

Before you contact the tech service department, make sure that the product is plugged in and power is supplied.

- Do not take any action that will damage the product.

Problem	Possible Cause	Solution
<b>Extractor hood does not turn on</b>	No electrical supply	Make sure that rangehood is plugged into powered outlet. Test outlet with another device if not working
<b>My rangehood has poor performance</b>	Inadequate ventilation	Ensure that the kitchen is sufficiently ventilated to allow entry of fresh air
	The rangehood and cooktop are too far away from each other	Optimal distance is 65~75cm above the cooktop for best extraction
	Grease filters clogged with grease build-up	Clean the grease filters or replace the grease filters
	Motor is running but no extraction	Please contact Customer Care Service on 0800 200 510
<b>My rangehood is noisy</b>	Check inside the rangehood for any loose debris and remove	Please contact Customer Care Service on 0800 200 510
	If the noise is from the motor, please contact our Customer Care Service	
<b>Lights are not working</b>	Light is damaged	Replace light, see instructions on page 10.
	Light wire terminal is loose	Reset the connection

If problem persists after the above checks, please contact Customer Care Centre for assistance.

# I. Trouble Shooting

## Service

In the event that the failure is not due to the faults mentioned in the Troubleshooting section, you can call our **Service Department on 0800 200 510**

A service request will require the following information:

- The purchase date
- The rangehood model and motor type
- The serial number or batch number (this number is on a sticker inside the rangehood).
- A copy of the purchase receipt (without a receipt your service request cannot be processed).



## **Sales & Service**

For full sales and service or if you have a question about our range of Amore

### **Free Phone**

0800 200 510

### **Email**

[info.parex@whirlpool.com](mailto:info.parex@whirlpool.com)

### **Hours of business**

Monday - Friday,  
8am - 5pm

Parex Industries Ltd

5 Tolich Place, Henderson,  
Auckland 0610

[amorehomes.co.nz](http://amorehomes.co.nz)